

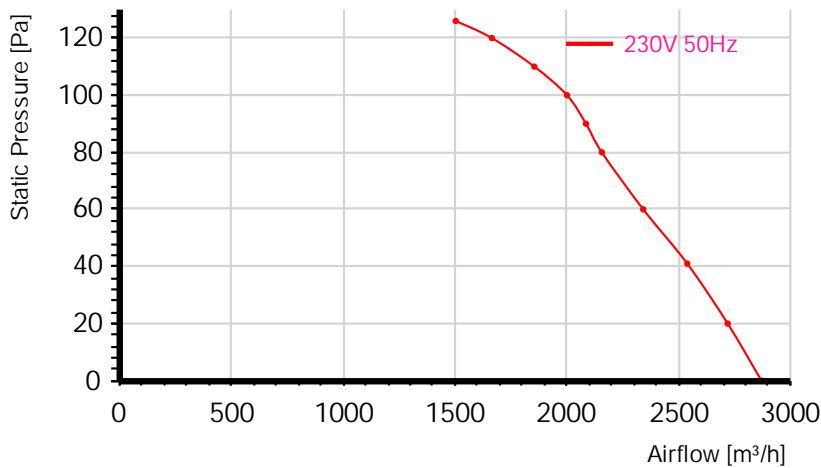
Model: YWF(K)2E300-Z-S5A

Fan type: AC Axial fan

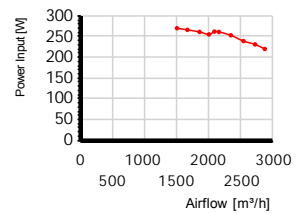
Rated voltage	230 VAC
Power input	250 W
Rated current	1.1 A
Rated speed	2530 r/min
Max airflow	2900 m ³ /h (Static pressure=0Pa)
Acoustic	70 dB(A) measured at 1.0m from inlet side

Performance curve

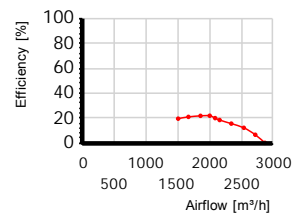
Airflow curve



Power input curve



Efficiency on static pressure



Performance test with reference to GB/T 1236-2017, equivalent to ISO 5801

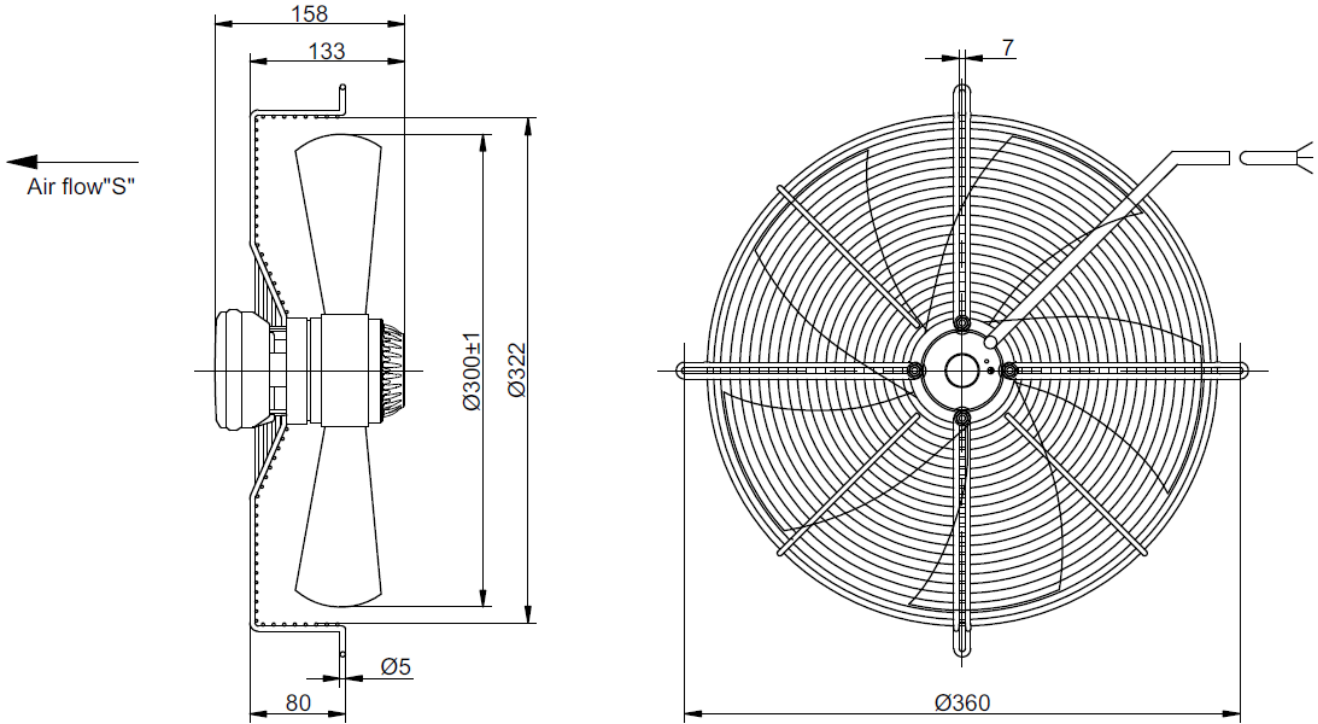
TestID	2013031701		Capacitor	6 uF						
Test environment										
Outlet size	Outlet area	Temperature	Humidity	Baropressure	Density					
314mm	0.0774m ²	18°C	77%	101.9kPa	1.2kg/m ³					
Test data										
Voltage	Frequency	Speed	Power input	Current	Airflow	Static pressure	Dynamic pressure	Total pressure	Pressure Difference	Nozzle Size
V	Hz	r/min	W	A	m ³ /h	Pa	Pa	Pa	Pa	mm
232.3	50	2543	270	1.16	1503	126	18	143	352	150+189*0
231.3	50	2568	266	1.15	1665	120	22	142	432	150+189*0
231.6	50	2588	261	1.13	1855	110	27	137	213	+189*1
231.4	50	2609	255	1.1	2001	100	31	131	248	+189*1
231	50	2618	262	1.14	2086	90	34	124	269	+189*1
231.4	50	2628	261	1.13	2157	80	36	117	288	+189*1
231.4	50	2657	253	1.09	2342	60	43	102	339	+189*1
231	50	2671	239	1.04	2539	41	50	91	398	+189*1

Model: YWF(K)2E300-Z-S5A

Fan type: AC Axial fan

231.4	50	2694	231	1	2720	20	58	78	456	+189*1
230.9	50	2708	220	0.96	2871	0	64	65	508	+189*1

Dimensions(in mm)



Wiring diagram

