

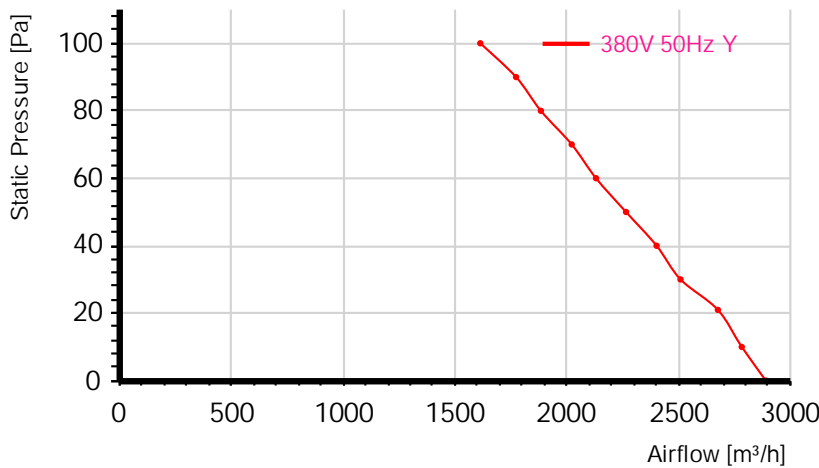
Model: YWF(K)4D350-Z-B5A

Fan type: AC Axial fan

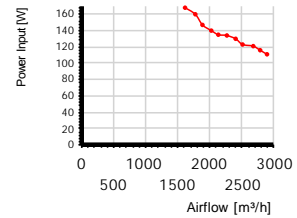
| | |
|---------------|--|
| Rated voltage | 380 VAC |
| Power input | 145 W |
| Rated current | 0.37 A |
| Rated speed | 1390 r/min |
| Max airflow | 2900 m ³ /h (Static pressure=0Pa) |
| Acoustic | 63 dB(A) measured at 1.0m from inlet side |

Performance curve

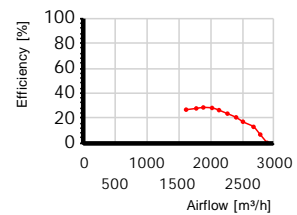
Airflow curve



Power input curve



Efficiency on static pressure



Performance test with reference to GB/T 1236-2017, equivalent to ISO 5801

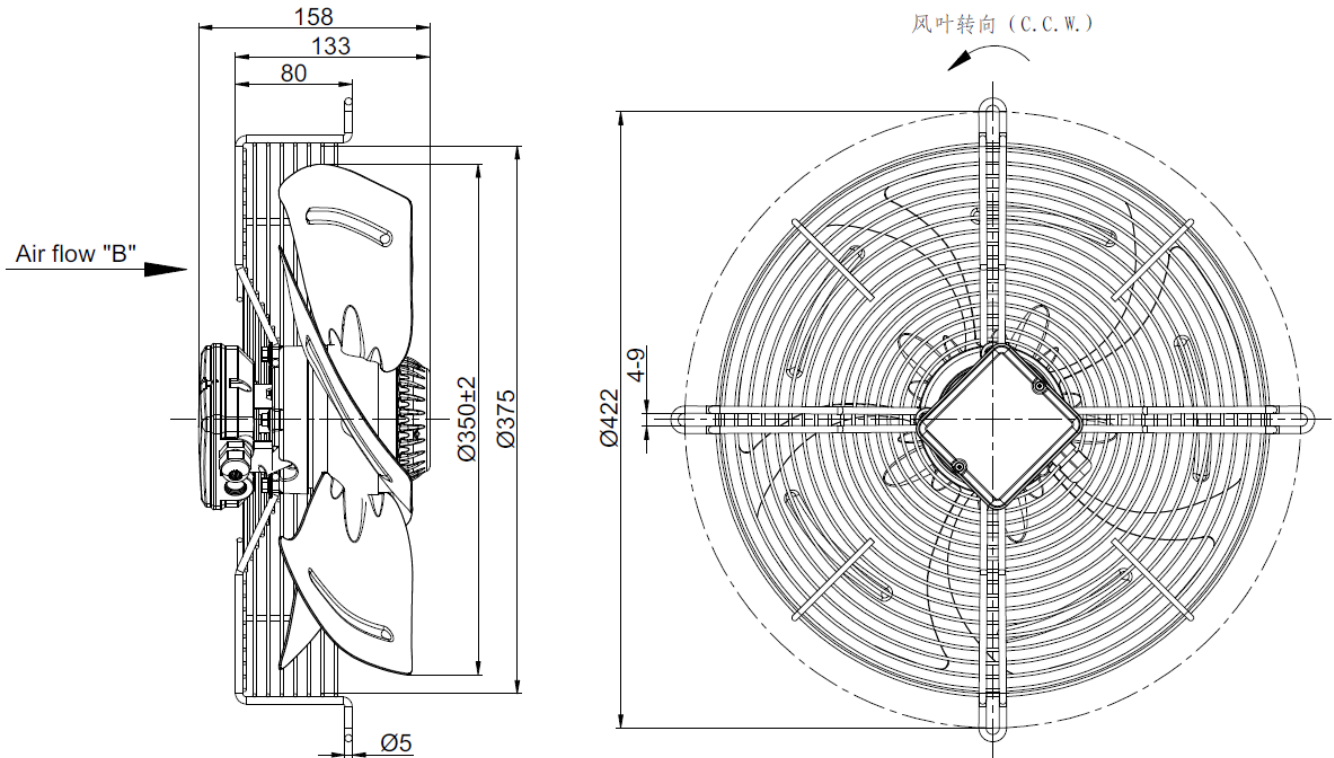
| TestID | 2015082802 | | Connection | | | Y | | | | |
|------------------|----------------------|-------------|-------------|--------------|----------------------|-----------------|------------------|----------------|---------------------|-------------|
| Test environment | | | | | | | | | | |
| Outlet size | Outlet area | Temperature | Humidity | Baropressure | Density | | | | | |
| 360mm | 0.1018m ² | 28°C | 81% | 98.1kPa | 1.2kg/m ³ | | | | | |
| Test data | | | | | | | | | | |
| Voltage | Frequency | Speed | Power input | Current | Airflow | Static pressure | Dynamic pressure | Total pressure | Pressure Difference | Nozzle Size |
| V | Hz | r/min | W | A | m ³ /h | Pa | Pa | Pa | Pa | mm |
| 381.8 | 50 | 1339 | 168 | 0.33 | 1613 | 100 | 11 | 111 | 375 | 150+189*0 |
| 379.8 | 50 | 1346 | 160 | 0.32 | 1773 | 90 | 13 | 104 | 452 | 150+189*0 |
| 380.6 | 50 | 1369 | 147 | 0.31 | 1884 | 80 | 15 | 95 | 203 | +189*1 |
| 382.1 | 50 | 1378 | 140 | 0.3 | 2022 | 70 | 17 | 87 | 234 | +189*1 |
| 382.3 | 50 | 1384 | 135 | 0.3 | 2131 | 60 | 19 | 79 | 259 | +189*1 |
| 382.6 | 50 | 1387 | 134 | 0.3 | 2265 | 50 | 21 | 72 | 293 | +189*1 |
| 381.4 | 50 | 1390 | 130 | 0.3 | 2402 | 40 | 24 | 64 | 330 | +189*1 |
| 381.2 | 50 | 1399 | 123 | 0.29 | 2509 | 30 | 26 | 56 | 359 | +189*1 |

Model: YWF(K)4D350-Z-B5A

Fan type: AC Axial fan

| | | | | | | | | | | |
|-------|----|------|-----|------|------|----|----|----|-----|--------|
| 380.9 | 50 | 1401 | 121 | 0.29 | 2676 | 21 | 30 | 50 | 408 | +189*1 |
| 381.9 | 50 | 1409 | 116 | 0.29 | 2783 | 10 | 32 | 42 | 441 | +189*1 |
| 381.2 | 50 | 1343 | 111 | 0.28 | 2891 | 0 | 35 | 35 | 476 | +189*1 |

Dimensions(in mm)



Wiring diagram

