

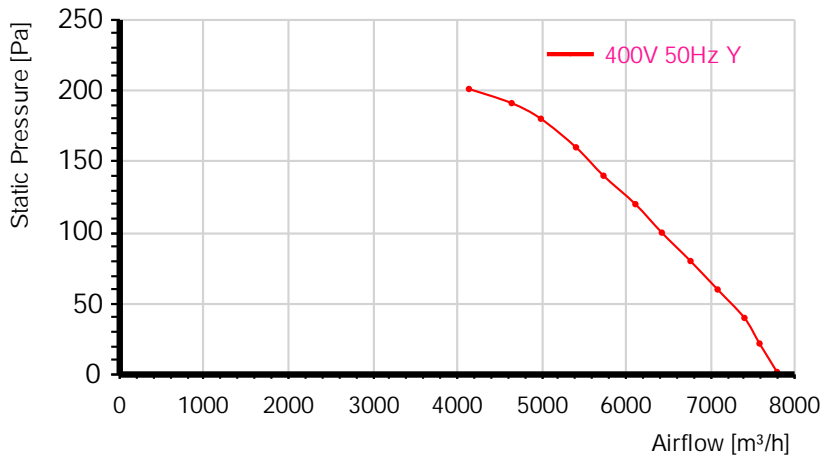
Model: YWF(K)4D450-ZX13B-B7A

Fan type: AC Axial fan

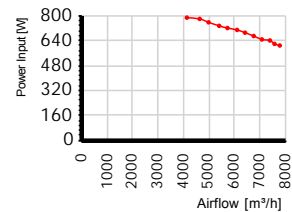
Rated current	1.75 A
Rated speed	1390 r/min
Max airflow	7800 m ³ /h (Static pressure=0Pa)
Acoustic	79 dB(A) measured at 1.0m from inlet side
ErP level	2015

Performance curve

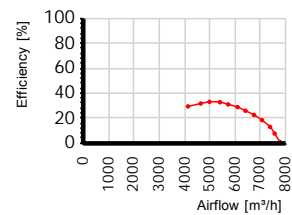
Airflow curve



Power input curve



Efficiency on static pressure



Performance test with reference to GB/T 1236-2017, equivalent to ISO 5801

TestID	2014121002			Connection	Y
Test environment					
Outlet size	Outlet area	Temperature	Humidity	Baropressure	Density
460mm	0.1662m ²	14°C	75%	100.3kPa	1.2kg/m ³

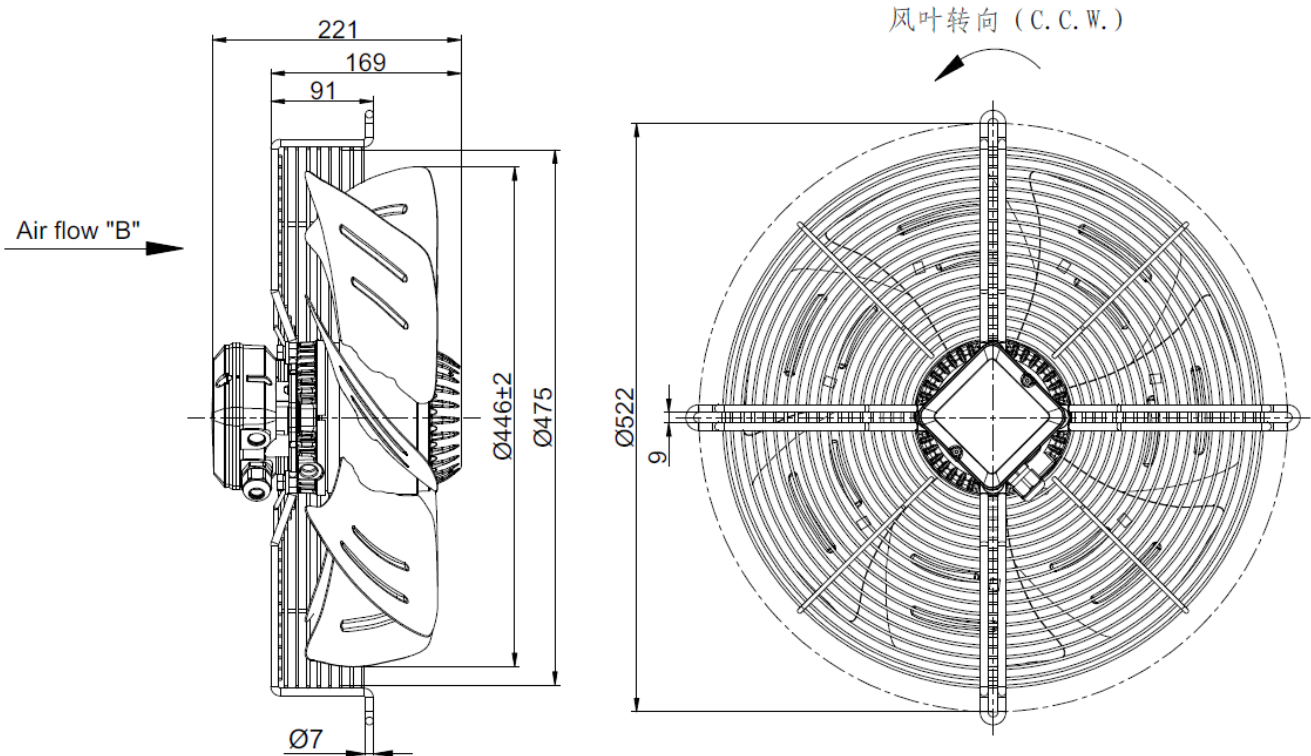
Test data										
Voltage	Frequency	Speed	Power input	Current	Airflow	Static pressure	Dynamic pressure	Total pressure	Pressure Difference	Nozzle Size
V	Hz	r/min	W	A	m ³ /h	Pa	Pa	Pa	Pa	mm
401.4	50	1387	788	1.62	4137	201	29	230	394	150+189*1
400.7	50	1386	780	1.6	4643	191	36	227	496	150+189*1
399	50	1390	758	1.57	4990	180	42	222	572	150+189*1
398.5	50	1393	735	1.55	5406	160	50	210	259	150+189*2
399.5	50	1397	721	1.53	5732	140	56	195	291	150+189*2
398.7	50	1397	709	1.52	6110	120	63	183	330	150+189*2
399.5	50	1400	691	1.5	6422	100	70	170	365	150+189*2
400.2	50	1404	670	1.48	6762	80	77	158	404	150+189*2
398.9	50	1403	648	1.45	7083	60	85	145	443	150+189*2

Model: YWF(K)4D450-ZX13B-B7A

Fan type: AC Axial fan

399.4	50	1408	641	1.44	7401	40	93	133	484	150+189*2
399.6	50	1412	619	1.42	7581	22	97	119	507	150+189*2
400.1	50	1415	609	1.41	7788	2	103	104	535	150+189*2

Dimensions (in mm)



Wiring diagram

