

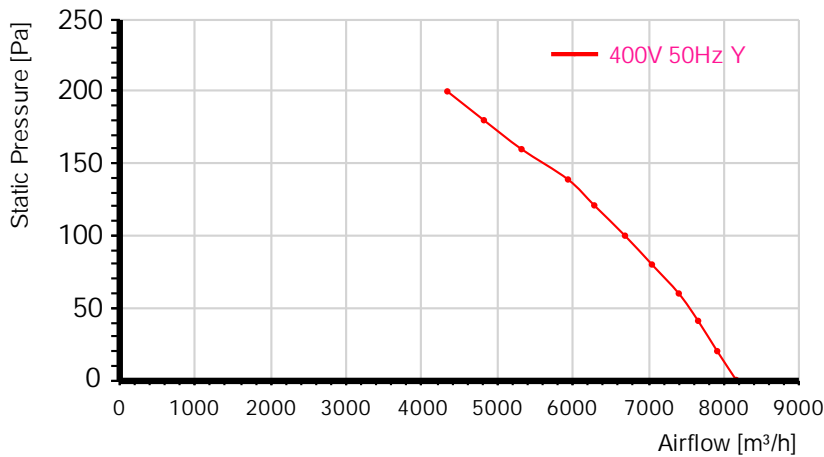
Model: YWF(K)4D500-ZX06N-S6A

Fan type: AC Axial fan

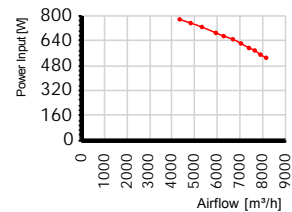
Rated current	1.6 A
Rated speed	1410 r/min
Max airflow	8200 m ³ /h (Static pressure=0Pa)
Acoustic	78 dB(A) measured at 1.0m from inlet side
ErP level	2015

Performance curve

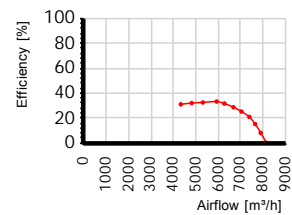
Airflow curve



Power input curve



Efficiency on static pressure



Performance test with reference to GB/T 1236-2017, equivalent to ISO 5801

TestID	2015020312			Connection	Y
Test environment					
Outlet size	Outlet area	Temperature	Humidity	Baropressure	Density
504mm	0.1995m ²	9°C	83%	101kPa	1.2kg/m ³

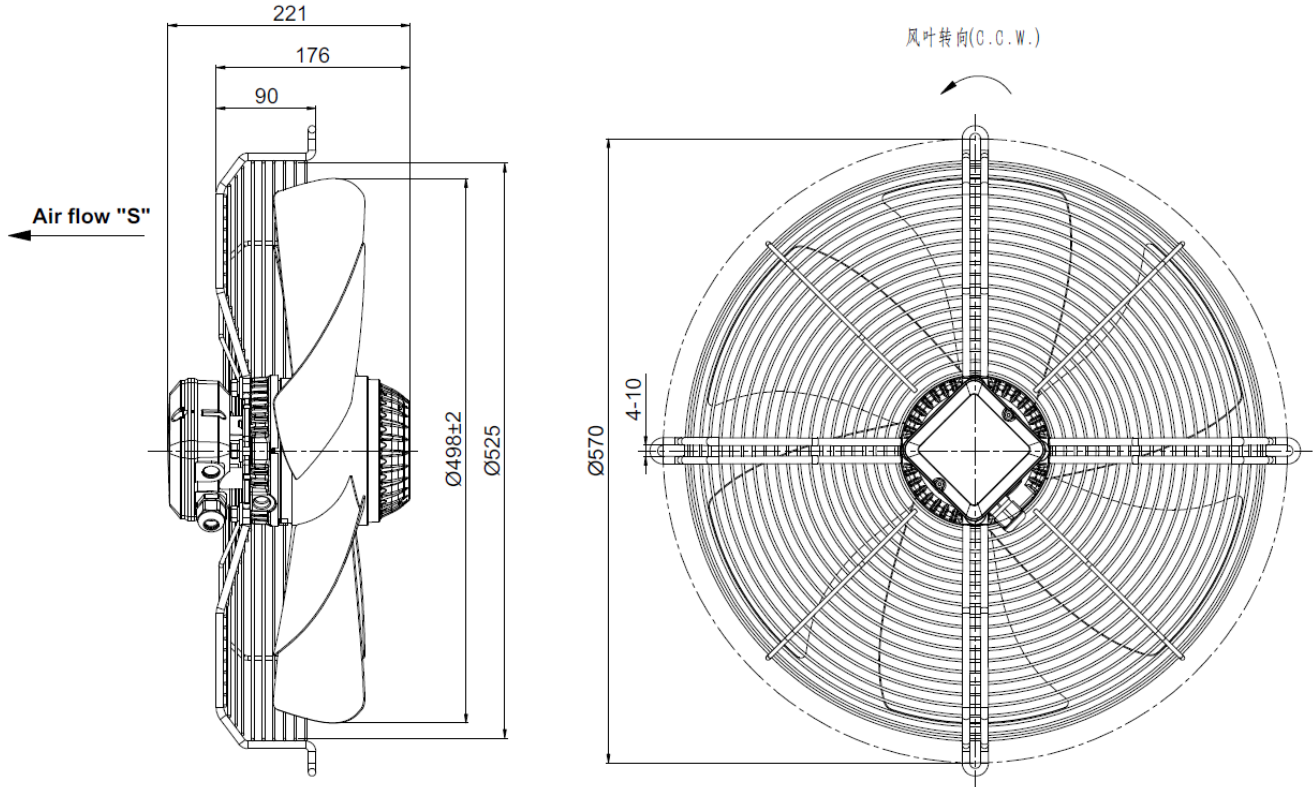
Test data										
Voltage	Frequency	Speed	Power input	Current	Airflow	Static pressure	Dynamic pressure	Total pressure	Pressure Difference	Nozzle Size
V	Hz	r/min	W	A	m ³ /h	Pa	Pa	Pa	Pa	mm
399.7	50	1390	777	1.66	4336	200	23	223	442	150+189*1
401	50	1395	753	1.64	4821	180	28	208	211	150+189*2
400.5	50	1401	728	1.61	5318	160	34	194	256	150+189*2
398.9	50	1407	690	1.57	5934	139	42	182	318	150+189*2
399.5	50	1415	669	1.55	6282	121	47	168	357	150+189*2
400.7	50	1412	649	1.54	6689	100	54	154	404	150+189*2
400.8	50	1420	622	1.51	7045	80	60	140	448	150+189*2
400.4	50	1424	593	1.49	7400	60	66	125	494	150+189*2
400.6	50	1425	577	1.47	7657	41	70	111	529	150+189*2

Model: YWF(K)4D500-ZX06N-S6A

Fan type: AC Axial fan

400.3	50	1428	550	1.45	7909	20	75	95	564	150+189*2
398.9	50	1433	530	1.43	8161	0	80	81	601	150+189*2

Dimensions(in mm)



Wiring diagram

