

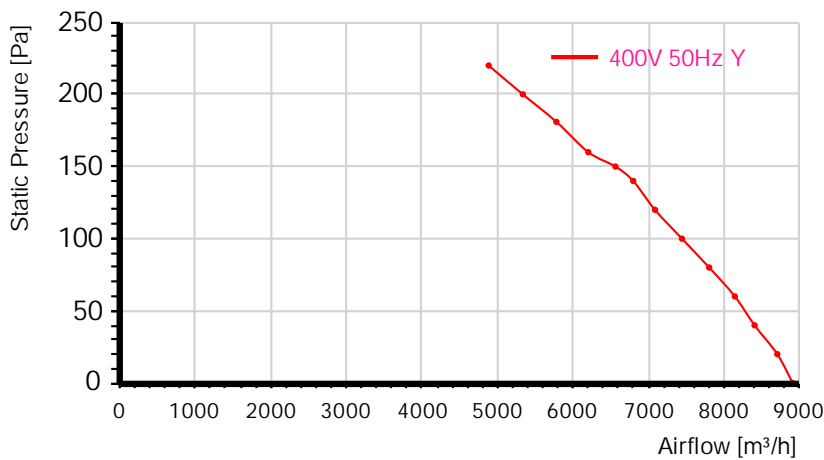
Model: YWF(K)4D500-ZX33-B7A

Fan type: AC Axial fan

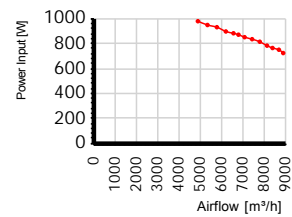
Rated current	2.3 A
Rated speed	1420 r/min
Max airflow	8900 m ³ /h (Static pressure=0Pa)
Acoustic	79 dB(A) measured at 1.0m from inlet side

Performance curve

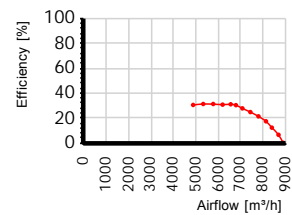
Airflow curve



Power input curve



Efficiency on static pressure



Performance test with reference to GB/T 1236-2017, equivalent to ISO 5801

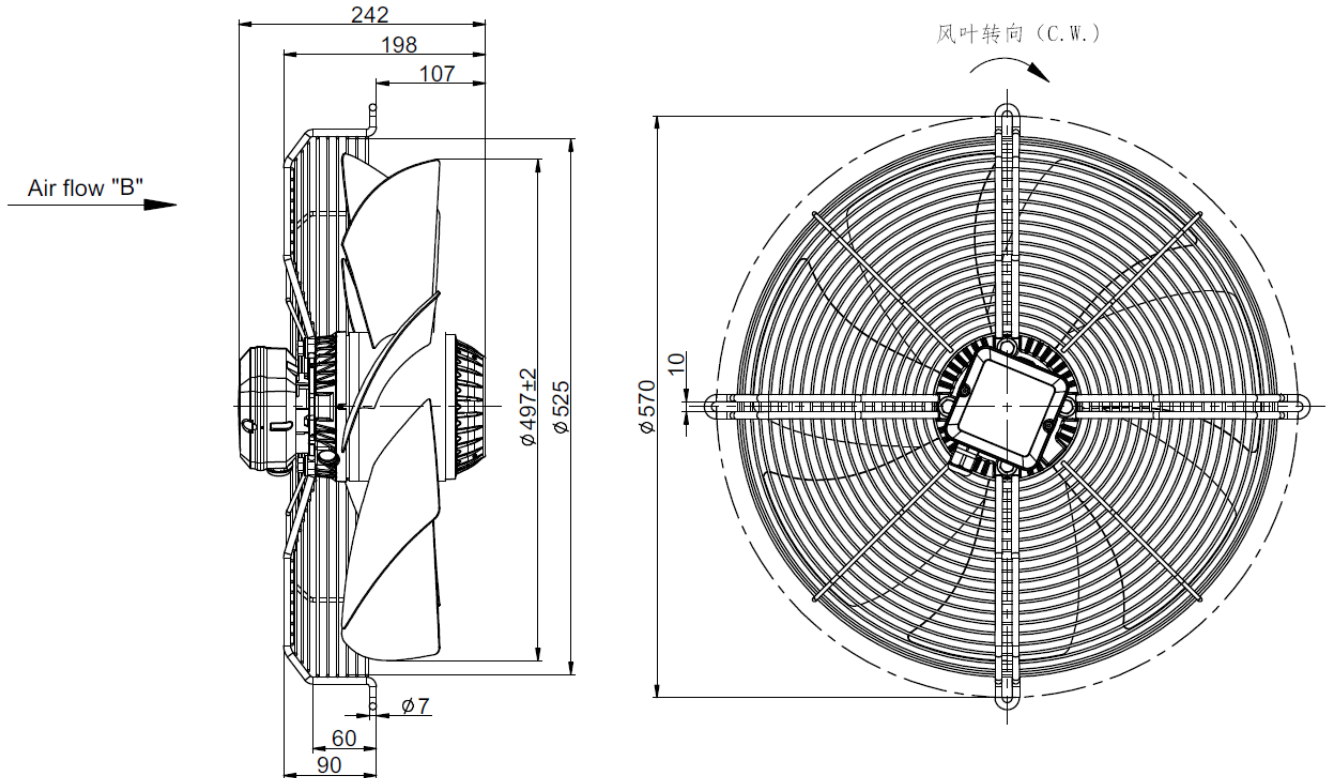
TestID	2015020301			Connection	Y					
Test environment										
Outlet size	Outlet area	Temperature	Humidity	Baropressure	Density					
504mm	0.1995m ²	9°C	82%	100.9kPa	1.2kg/m ³					
Test data										
Voltage	Frequency	Speed	Power input	Current	Airflow	Static pressure	Dynamic pressure	Total pressure	Pressure Difference	Nozzle Size
V	Hz	r/min	W	A	m ³ /h	Pa	Pa	Pa	Pa	mm
400.7	50	1406	980	2.32	4884	220	29	248	216	150+189*2
399.6	50	1409	950	2.29	5336	200	34	234	258	150+189*2
399.9	50	1413	932	2.28	5780	181	40	221	302	150+189*2
399.5	50	1416	898	2.24	6203	160	46	206	348	150+189*2
400.3	50	1420	883	2.24	6563	150	52	202	205	150+189*3
399.5	50	1421	872	2.22	6797	140	56	196	220	150+189*3
401.2	50	1417	852	2.22	7085	120	60	181	239	150+189*3
399.9	50	1423	836	2.2	7442	100	67	167	263	150+189*3
399.3	50	1425	815	2.18	7804	80	73	153	289	150+189*3
399	50	1430	784	2.17	8143	60	80	139	315	150+189*3

Model: YWF(K)4D500-ZX33-B7A

Fan type: AC Axial fan

401.2	50	1431	765	2.17	8404	40	85	125	335	150+189*3
400	50	1433	751	2.15	8704	20	91	112	360	150+189*3
399.9	50	1435	724	2.14	8908	0	96	96	377	150+189*3

Dimensions (in mm)



Wiring diagram

