

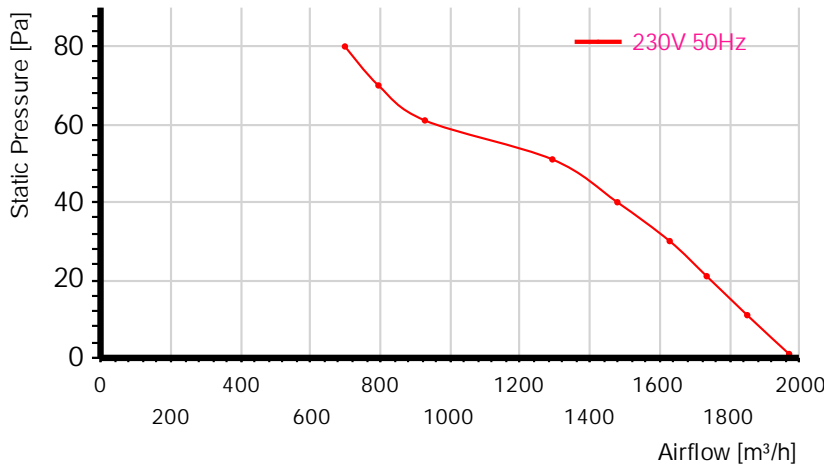
Model: YWF(K)4E315-Z-B5A

Fan type: AC Axial fan

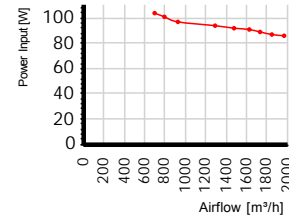
Rated voltage	230 VAC
Power input	100 W
Rated current	0.5 A
Rated speed	1400 r/min
Max airflow	2000 m ³ /h (Static pressure=0Pa)
Acoustic	60 dB(A) measured at 1.0m from inlet side

Performance curve

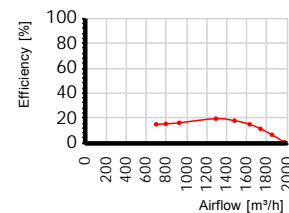
Airflow curve



Power input curve



Efficiency on static pressure



Performance test with reference to GB/T 1236-2017, equivalent to ISO 5801

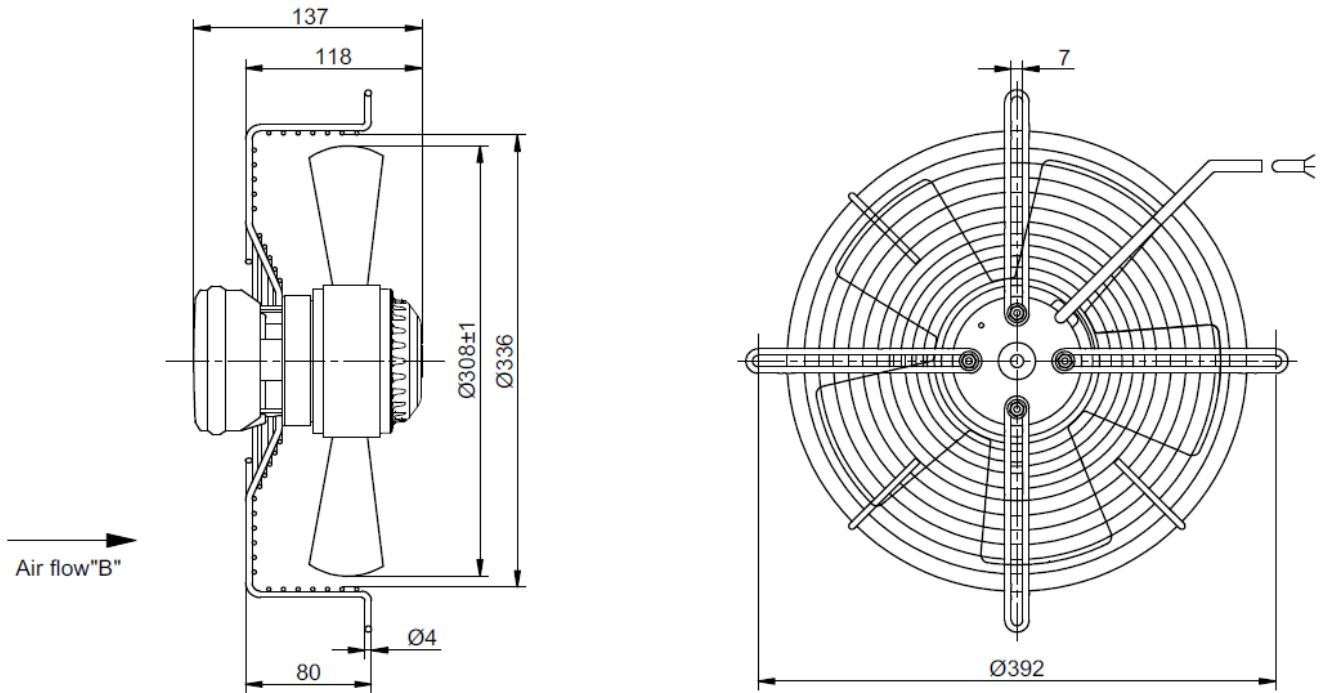
TestID	2013060821			Capacitor	4 uF					
Test environment										
Outlet size	Outlet area	Temperature	Humidity	Baropressure	Density					
315mm	0.0779m ²	28°C	87%	101.7kPa	1.2kg/m ³					
Test data										
Voltage	Frequency	Speed	Power input	Current	Airflow	Static pressure	Dynamic pressure	Total pressure	Pressure Difference	Nozzle Size
V	Hz	r/min	W	A	m ³ /h	Pa	Pa	Pa	Pa	mm
229.7	50	1350	104	0.47	698	80	4	84	74	150+189*0
229.7	50	1363	101	0.45	794	70	5	75	96	150+189*0
230.5	50	1382	97	0.43	927	61	6	67	130	150+189*0
230.5	50	1397	94	0.42	1292	51	12	63	252	150+189*0
230.5	50	1399	92	0.41	1478	40	16	56	329	150+189*0
230.6	50	1405	91	0.4	1628	30	20	50	399	150+189*0
229.3	50	1409	89	0.4	1734	21	22	43	452	150+189*0
229.9	50	1416	87	0.38	1850	11	25	36	514	150+189*0

Model: YWF(K)4E315-Z-B5A

Fan type: AC Axial fan

229.8	50	1421	86	0.38	1970	1	29	30	582	150+189*0
-------	----	------	----	------	------	---	----	----	-----	-----------

Dimensions(in mm)



Wiring diagram

