

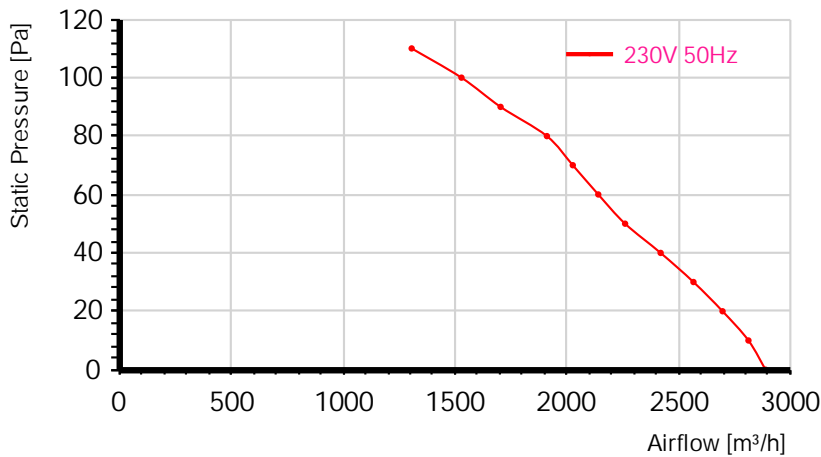
Model: YWF(K)4E350-Z-S5A

Fan type: AC Axial fan

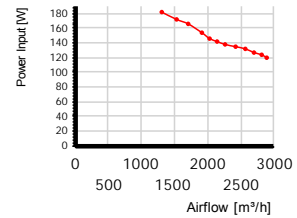
Rated voltage	230 VAC
Power input	138 W
Rated current	0.68 A
Rated speed	1380 r/min
Max airflow	2900 m ³ /h (Static pressure=0Pa)
Acoustic	62 dB(A) measured at 1.0m from inlet side

Performance curve

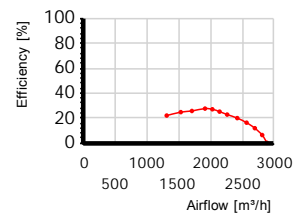
Airflow curve



Power input curve



Efficiency on static pressure



Performance test with reference to GB/T 1236-2017, equivalent to ISO 5801

TestID	2015092201			Capacitor	4 uF
Test environment					
Outlet size	Outlet area	Temperature	Humidity	Baropressure	Density
360mm	0.1018m ²	24°C	82%	98.9kPa	1.2kg/m ³

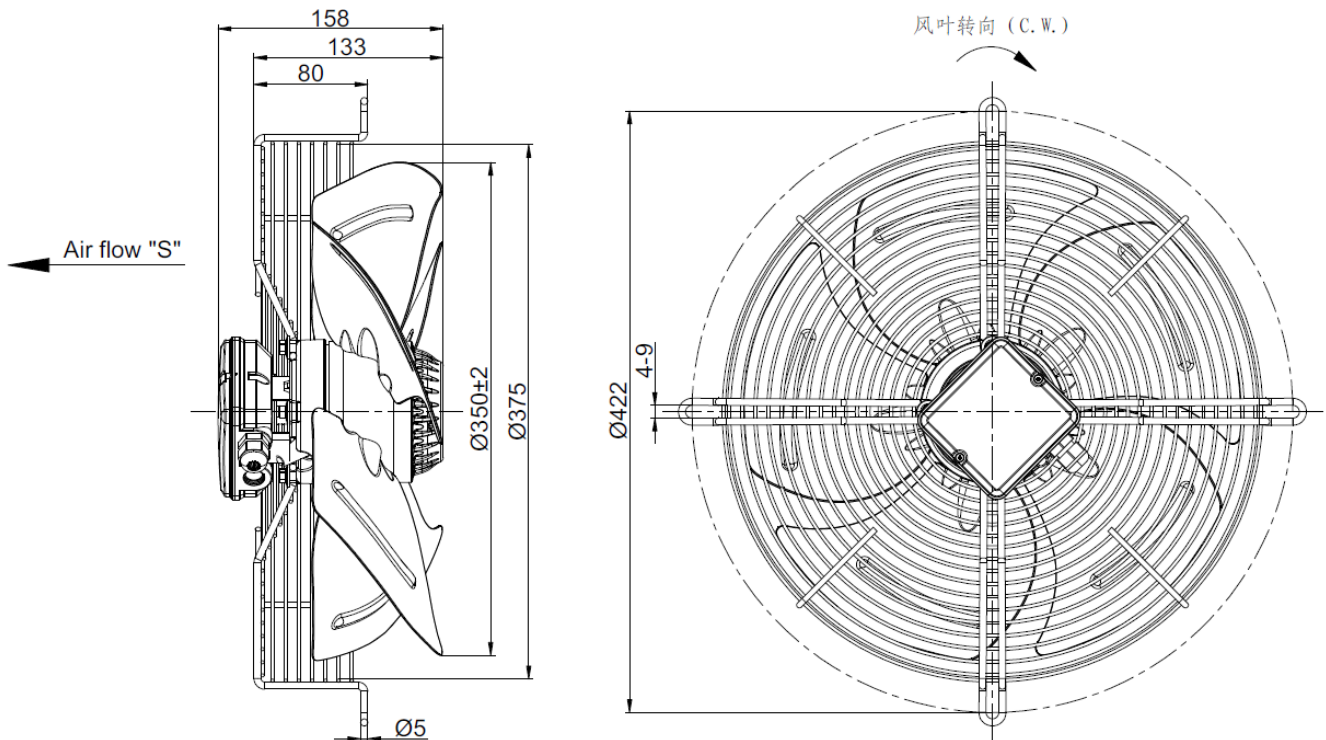
Test data										
Voltage	Frequency	Speed	Power input	Current	Airflow	Static pressure	Dynamic pressure	Total pressure	Pressure Difference	Nozzle Size
V	Hz	r/min	W	A	m ³ /h	Pa	Pa	Pa	Pa	mm
230.9	50	1341	182	0.8	1306	110	7	117	252	150+189*0
230.5	50	1356	172	0.76	1529	100	10	110	344	150+189*0
230.2	50	1362	166	0.73	1704	90	12	103	426	150+189*0
230.7	50	1386	154	0.68	1911	80	16	95	213	+189*1
230.7	50	1394	146	0.65	2027	70	18	88	240	+189*1
231.1	50	1399	142	0.63	2141	60	20	80	267	+189*1
230.8	50	1405	138	0.62	2261	50	22	72	298	+189*1
230.6	50	1410	135	0.6	2420	40	25	65	341	+189*1

Model: YWF(K)4E350-Z-S5A

Fan type: AC Axial fan

230.4	50	1413	132	0.6	2567	30	28	58	383	+189*1
230.3	50	1418	127	0.58	2697	20	31	51	423	+189*1
229.6	50	1423	124	0.56	2813	10	34	44	460	+189*1
231.3	50	1431	120	0.55	2889	0	36	36	485	+189*1

Dimensions(in mm)



Wiring diagram

