

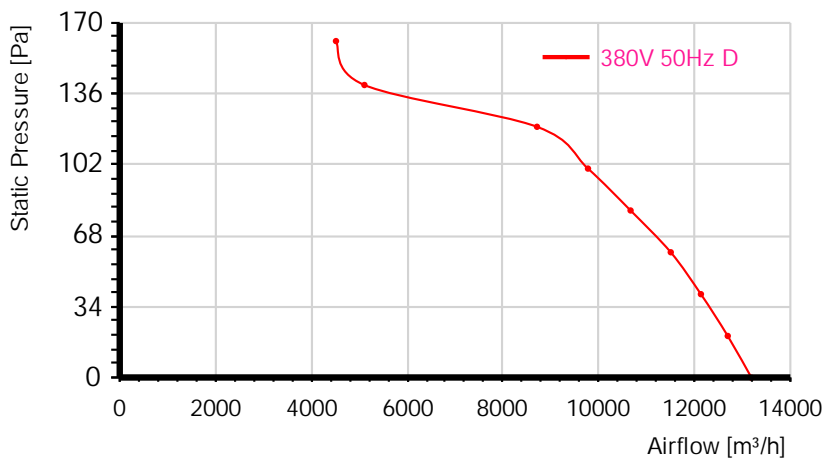
Model: YWF(K)6D630-ZX18-S7A

Fan type: AC Axial fan

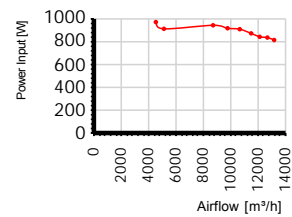
Rated current	2.8 A
Rated speed	940 r/min
Max airflow	13200 m ³ /h (Static pressure=0Pa)
Acoustic	77 dB(A) measured at 1.0m from inlet side

Performance curve

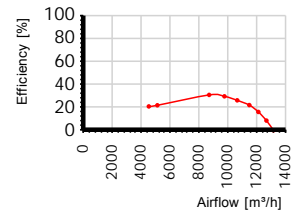
Airflow curve



Power input curve



Efficiency on static pressure



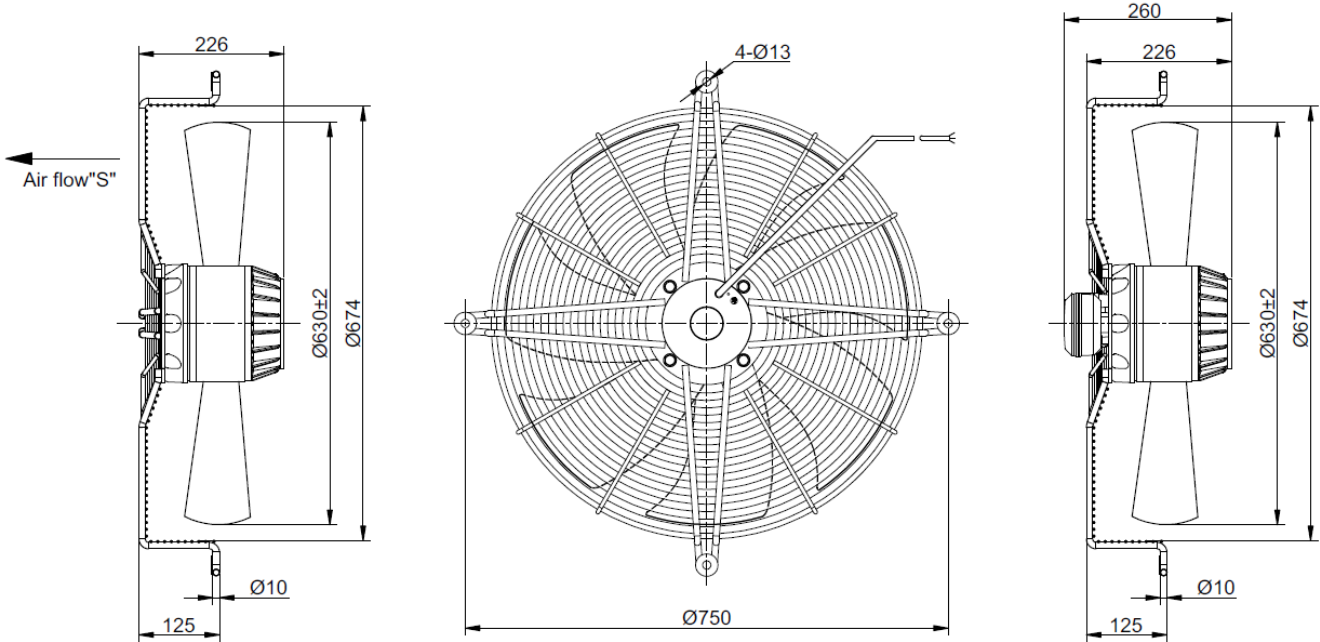
Performance test with reference to GB/T 1236-2017, equivalent to ISO 5801

TestID	2019032103			Connection	D					
Test environment										
Outlet size	Outlet area	Temperature	Humidity	Baropressure	Density					
644mm	0.3257m ²	18°C	84%	100.9kPa	1.2kg/m ³					
Test data										
Voltage	Frequency	Speed	Power input	Current	Airflow	Static pressure	Dynamic pressure	Total pressure	Pressure Difference	Nozzle Size
V	Hz	r/min	W	A	m ³ /h	Pa	Pa	Pa	Pa	mm
380.8	50	921	971	2.62	4514	161	9	170	466	150+189*1
377.4	50	925	912	2.51	5109	140	11	152	596	150+189*1
380.3	50	930	943	2.76	8712	120	33	153	216	150+189*4
380	50	932	917	2.74	9775	100	42	142	272	150+189*4
381.1	50	934	909	2.76	10665	80	50	130	219	150+189*5
381	50	936	873	2.72	11505	60	58	118	255	150+189*5
380.1	50	938	843	2.69	12133	40	64	104	283	150+189*5
379.9	50	940	836	2.68	12695	20	70	91	310	150+189*5
380.5	50	942	815	2.67	13190	0	76	76	334	150+189*5

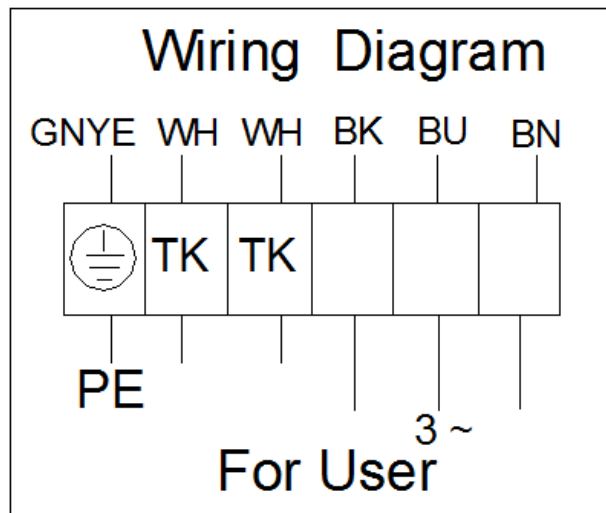
Model: YWF(K)6D630-ZX18-S7A

Fan type: AC Axial fan

Dimensions (in mm)



Wiring diagram



Attentions

- Please check the appearance and the accessories if there is no damage before use, check the model is consistent with requirements;
- Keep reliable grounding according to the wiring diagram. to avoid motor burning and personal accident, please check wiring is loose or fall off;