

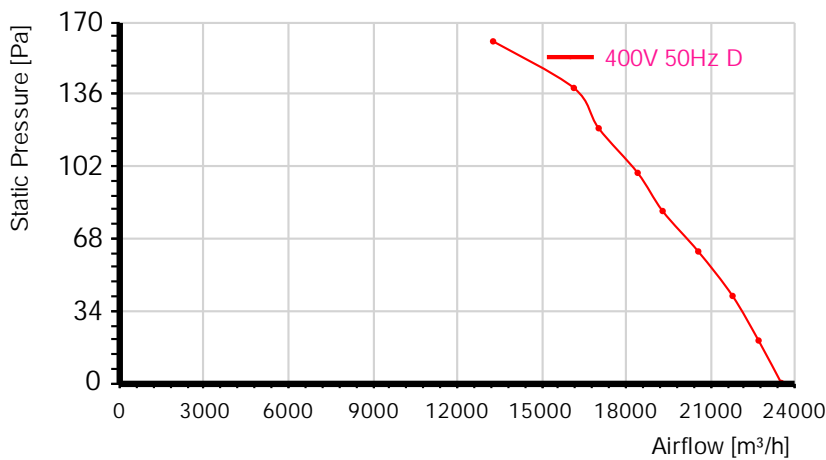
Model: YWF(K)6D800-ZX02A-S7I

Fan type: AC Axial fan

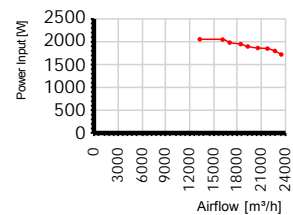
Rated current	4.3 A
Rated speed	890 r/min
Max airflow	23500 m ³ /h (Static pressure=0Pa)
Acoustic	83 dB(A) measured at 1.0m from inlet side

Performance curve

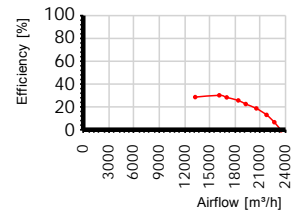
Airflow curve



Power input curve



Efficiency on static pressure



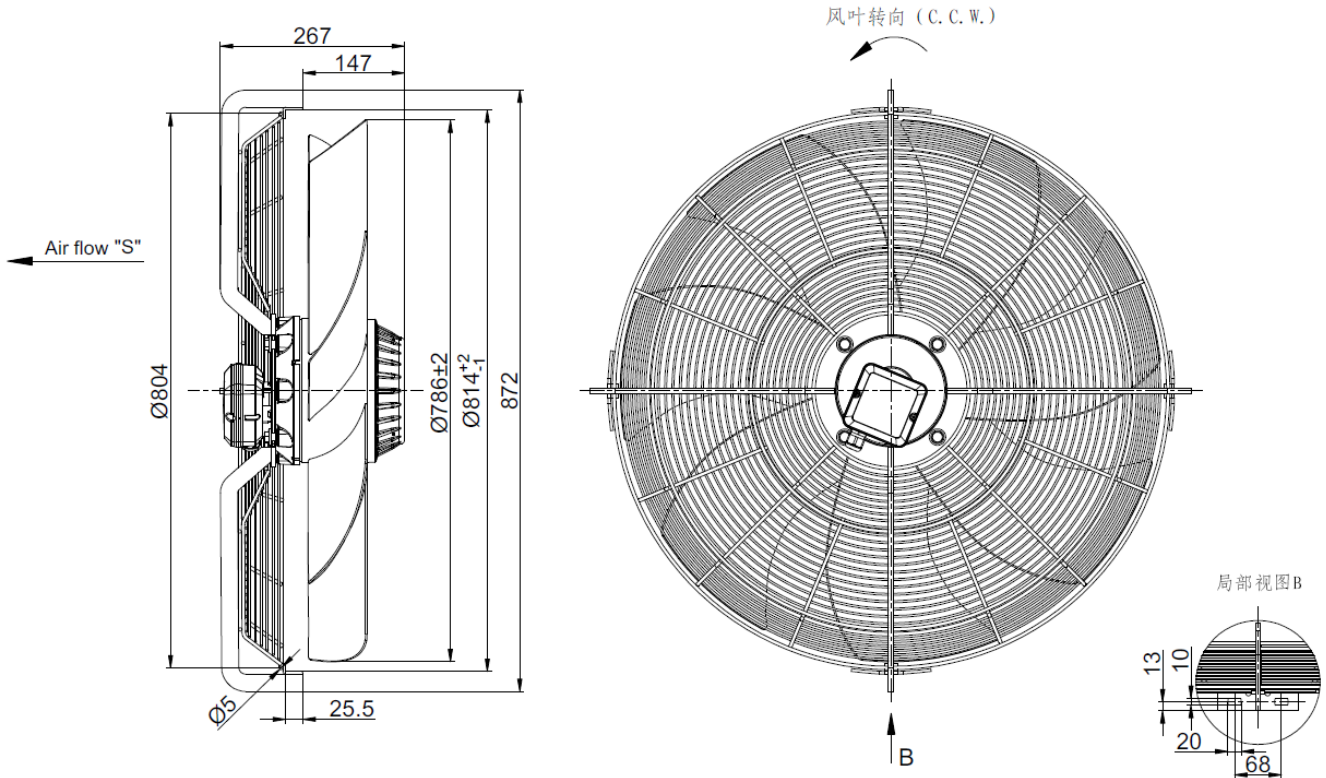
Performance test with reference to GB/T 1236-2017, equivalent to ISO 5801

TestID	2016091614			Connection	D					
Test environment										
Outlet size	Outlet area	Temperature	Humidity	Baropressure	Density					
795mm	0.4964m ²	29°C	83%	100.4kPa	1.2kg/m ³					
Test data										
Voltage	Frequency	Speed	Power input	Current	Airflow	Static pressure	Dynamic pressure	Total pressure	Pressure Difference	Nozzle Size
V	Hz	r/min	W	A	m ³ /h	Pa	Pa	Pa	Pa	mm
400.6	50	886	2053	3.56	13269	161	32	192	234	150+189*6
398	50	884	2047	3.57	16139	139	47	186	261	150+189*7
402.2	50	891	1980	3.44	17025	120	52	171	227	150+189*8
402.1	50	893	1948	3.39	18410	99	61	160	265	150+189*8
401.6	50	897	1897	3.33	19298	81	67	148	292	150+189*8
401.2	50	898	1862	3.27	20565	62	76	137	331	150+189*8
401	50	899	1851	3.28	21782	41	85	126	371	150+189*8
401.5	50	903	1798	3.18	22707	20	92	112	403	150+189*8
400.3	50	907	1722	3.09	23513	0	99	99	432	150+189*8

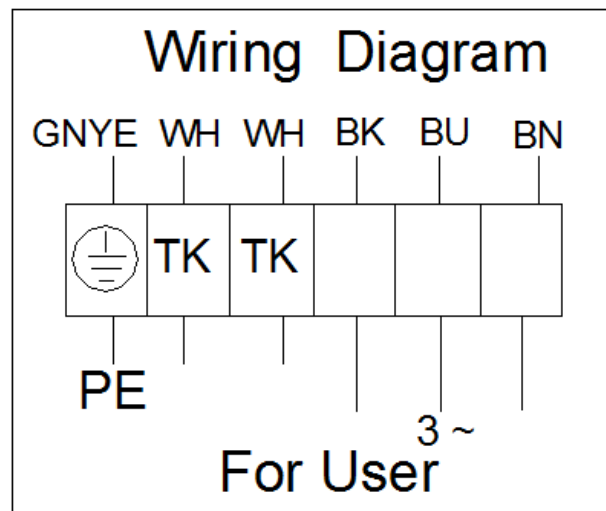
Model: YWF(K)6D800-ZX02A-S7I

Fan type: AC Axial fan

Dimensions (in mm)



Wiring diagram



Attentions

- Please check the appearance and the accessories if there is no damage before use, check the model is consistent with requirements;