

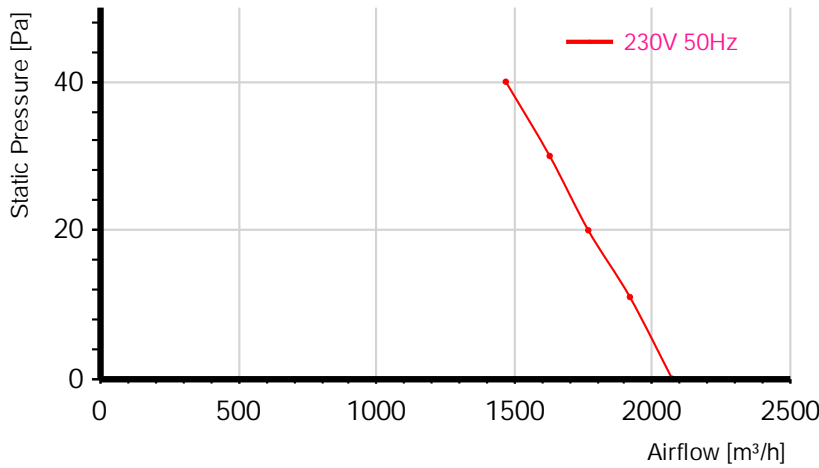
Model: YWF(K)6E350-Z-B5A

Fan type: AC Axial fan

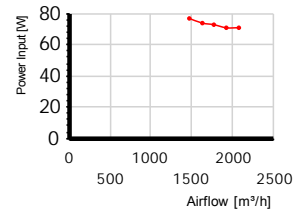
Rated voltage	230 VAC
Power input	80 W
Rated current	0.4 A
Rated speed	930 r/min
Max airflow	2100 m ³ /h (Static pressure=0Pa)
Acoustic	53 dB(A) measured at 1.0m from inlet side

Performance curve

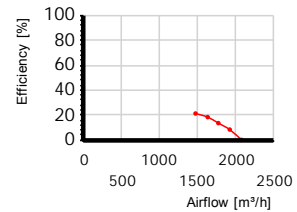
Airflow curve



Power input curve



Efficiency on static pressure



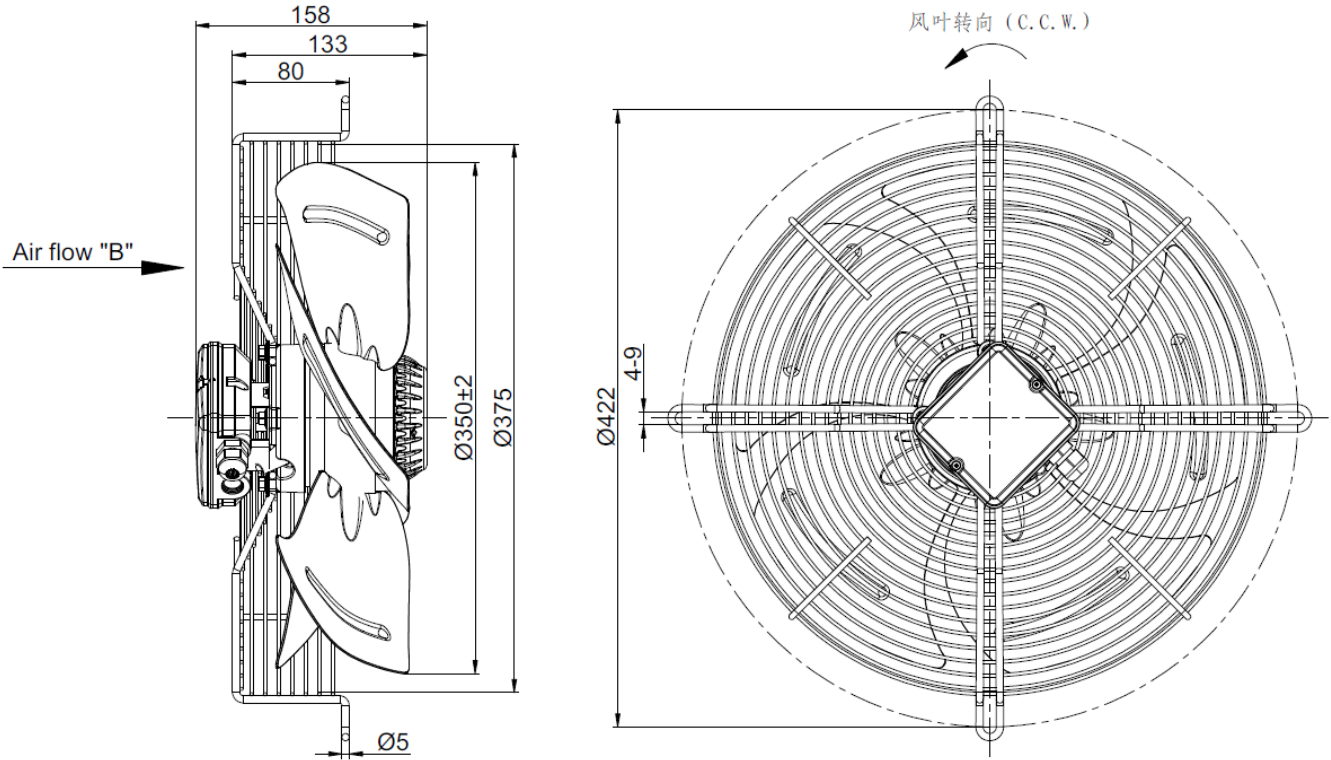
Performance test with reference to GB/T 1236-2017, equivalent to ISO 5801

TestID	2009111714			Capacitor	2 uF					
Test environment										
Outlet size	Outlet area	Temperature	Humidity	Baropressure	Density					
350mm	0.0962m ²	11°C	57%	100.8kPa	1.2kg/m ³					
Test data										
Voltage	Frequency	Speed	Power input	Current	Airflow	Static pressure	Dynamic pressure	Total pressure	Pressure Difference	Nozzle Size
V	Hz	r/min	W	A	m ³ /h	Pa	Pa	Pa	Pa	mm
229.9	50	954	77	0.38	1468	40	11	51	341	150+189*0
227.5	50	958	74	0.37	1627	30	14	43	418	150+189*0
228.1	50	962	73	0.37	1767	20	16	36	492	150+189*0
227.5	50	965	71	0.37	1918	11	19	30	580	150+189*0
228.9	50	970	71	0.37	2071	0	22	22	269	+189*1

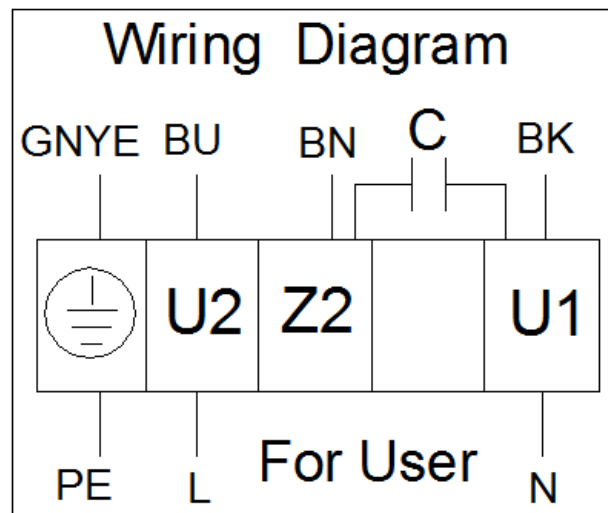
Model: YWF(K)6E350-Z-B5A

Fan type: AC Axial fan

Dimensions(in mm)



Wiring diagram



Attentions

★ Please check the appearance and the accessories if there is no damage before use, check the model is consistent with requirements;