

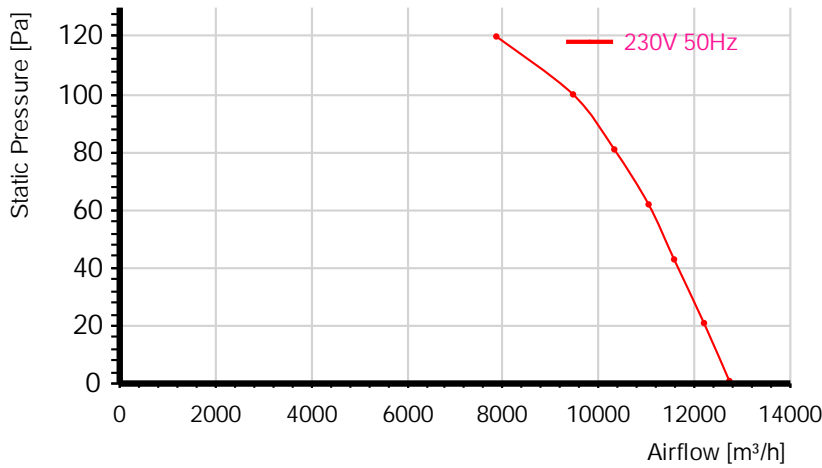
Model: YWF(K)6E630-ZX18-S7A

Fan type: AC Axial fan

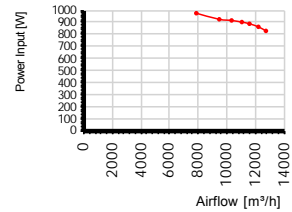
Rated voltage	230 VAC
Power input	950 W
Rated current	4.9 A
Rated speed	920 r/min
Max airflow	13000 m ³ /h (Static pressure=0Pa)
Acoustic	77 dB(A) measured at 1.0m from inlet side

Performance curve

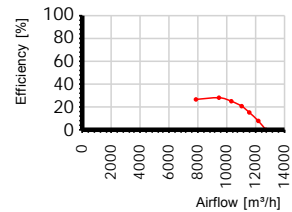
Airflow curve



Power input curve



Efficiency on static pressure



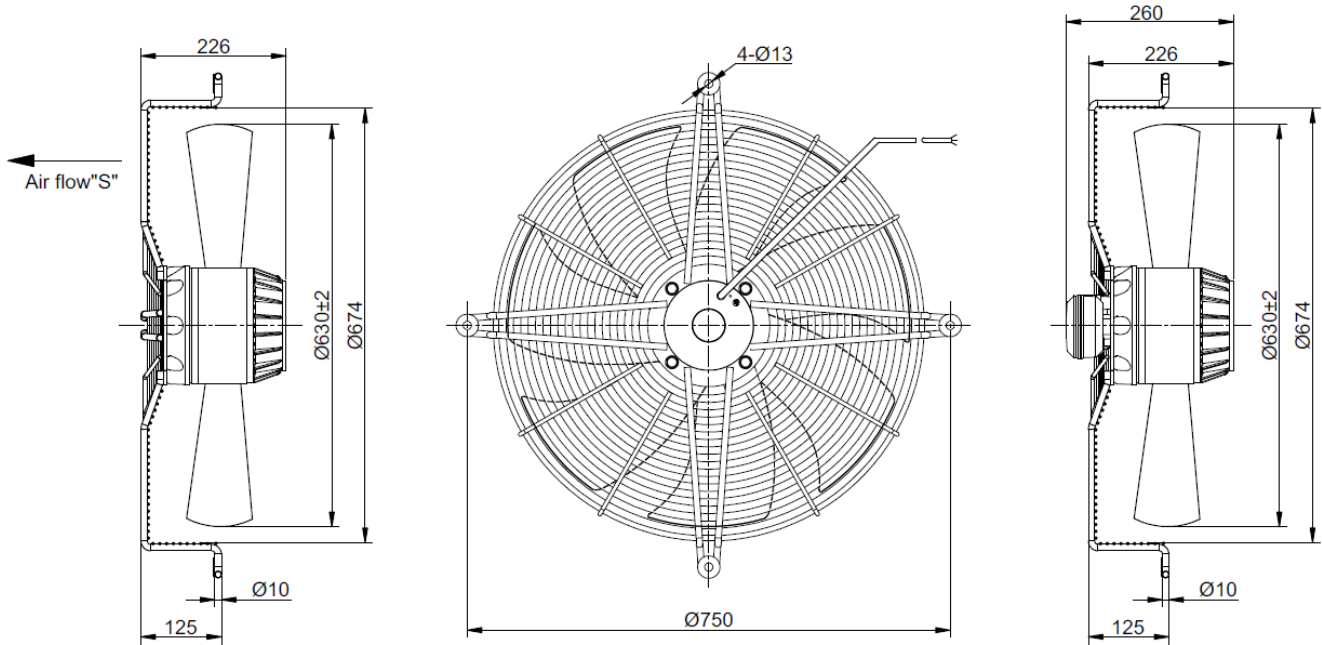
Performance test with reference to GB/T 1236-2017, equivalent to ISO 5801

TestID	2022052602		Capacitor	19 uF						
Test environment										
Outlet size	Outlet area	Temperature	Humidity	Baropressure	Density					
640mm	0.3217m ²	24°C	81%	101kPa	1.2kg/m ³					
Test data										
Voltage	Frequency	Speed	Power input	Current	Airflow	Static pressure	Dynamic pressure	Total pressure	Pressure Difference	Nozzle Size
V	Hz	r/min	W	A	m ³ /h	Pa	Pa	Pa	Pa	mm
230.5	50	917	975	4.71	7861	120	27	147	281	150+189*3
229.5	50	919	925	4.5	9464	100	39	139	406	150+189*3
230.5	50	920	916	4.46	10325	81	47	128	202	150+189*5
231.2	50	920	902	4.39	11042	62	53	115	230	150+189*5
230.7	50	921	888	4.33	11574	43	59	102	253	150+189*5
230.3	50	921	863	4.24	12199	21	65	86	281	150+189*5
230.9	50	923	829	4.11	12727	1	71	72	306	150+189*5

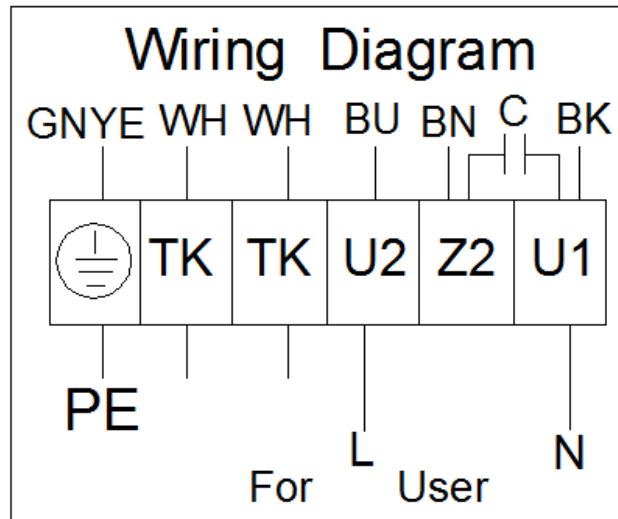
Model: YWF(K)6E630-ZX18-S7A

Fan type: AC Axial fan

Dimensions(in mm)



Wiring diagram



Attentions

★ Please check the appearance and the accessories if there is no damage before use, check the model is consistent with requirements;