

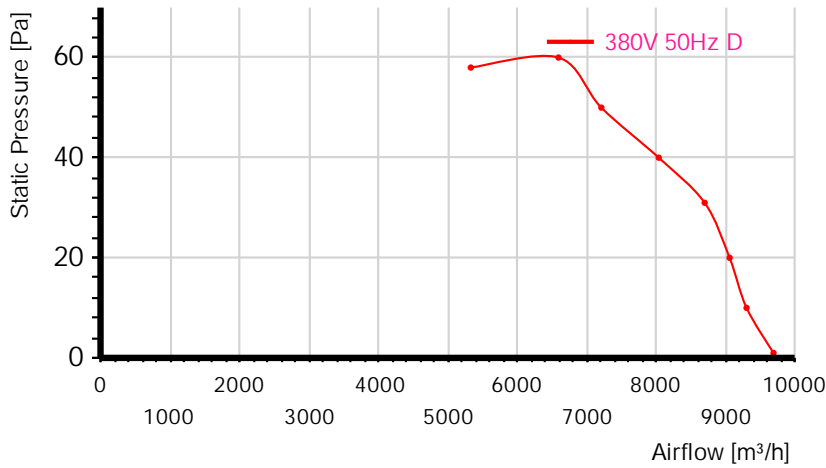
Model: YWF(K)8D630-ZX03-S7A

Fan type: AC Axial fan

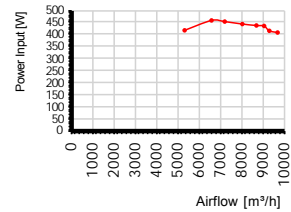
Rated voltage	400 VAC
Power input	500 W
Rated current	1.9 A
Rated speed	700 r/min
Max airflow	9700 m ³ /h (Static pressure=0Pa)
Acoustic	71 dB(A) measured at 1.0m from inlet side

Performance curve

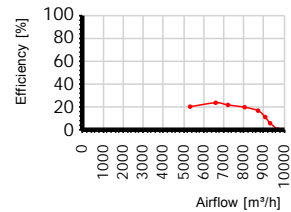
Airflow curve



Power input curve



Efficiency on static pressure



Performance test with reference to GB/T 1236-2017, equivalent to ISO 5801

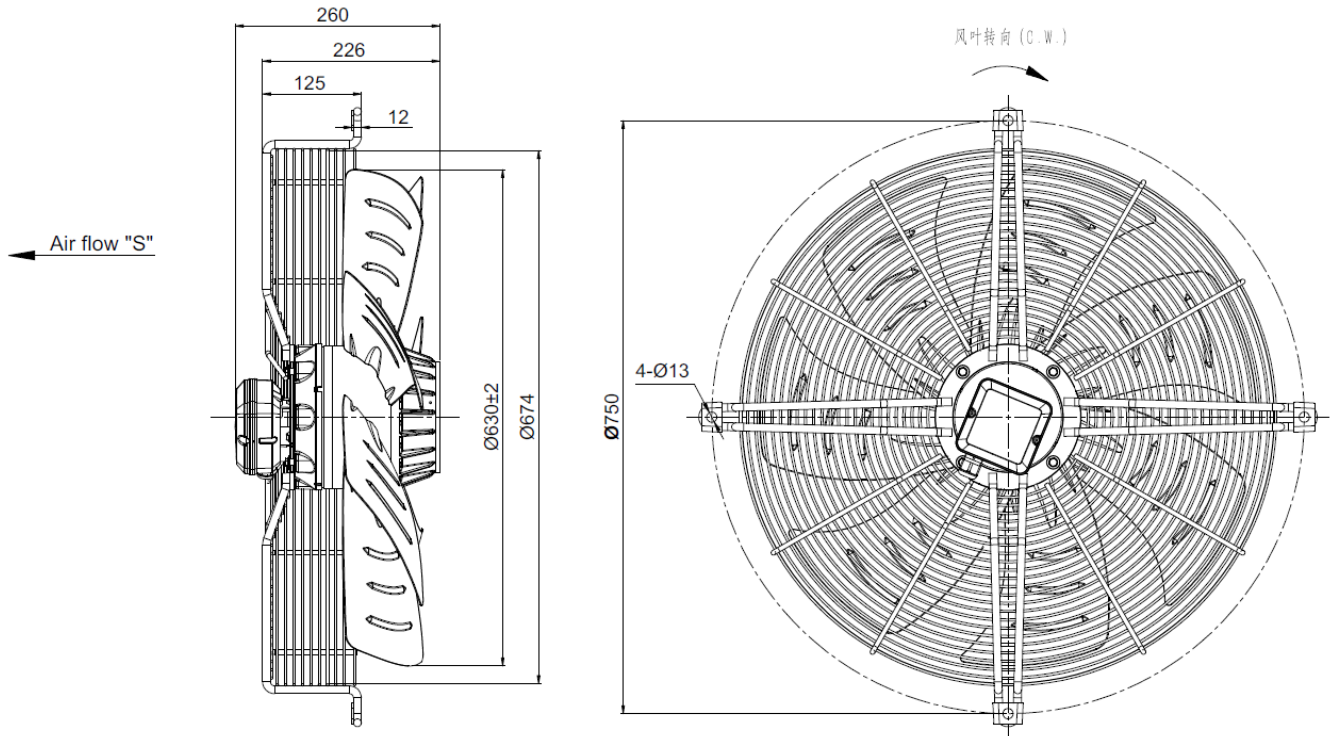
TestID	2022061502			Connection	D
Test environment					
Outlet size	Outlet area	Temperature	Humidity	Baropressure	Density
640mm	0.3217m ²	27°C	82%	101kPa	1.2kg/m ³

Test data										
Voltage	Frequency	Speed	Power input	Current	Airflow	Static pressure	Dynamic pressure	Total pressure	Pressure Difference	Nozzle Size
V	Hz	r/min	W	A	m ³ /h	Pa	Pa	Pa	Pa	mm
380.7	50	700	417	1.76	5328	58	12	70	243	150+189*2
381.7	50	704	458	1.79	6592	60	19	79	371	150+189*2
382	50	705	453	1.79	7210	50	22	73	444	150+189*2
380.6	50	707	443	1.78	8037	40	28	68	550	150+189*2
381.6	50	707	437	1.78	8699	31	33	63	209	150+189*4
380.6	50	708	435	1.77	9058	20	36	56	227	150+189*4
380.3	50	708	415	1.76	9303	10	37	48	239	150+189*4
380.1	50	708	408	1.76	9691	1	41	41	259	150+189*4

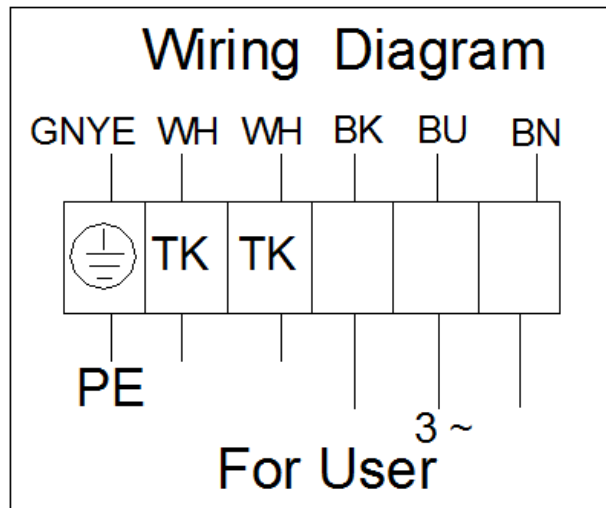
Model: YWF(K)8D630-ZX03-S7A

Fan type: AC Axial fan

Dimensions(in mm)



Wiring diagram



Attentions

★ Please check the appearance and the accessories if there is no damage before use, check the model is consistent with requirements;