

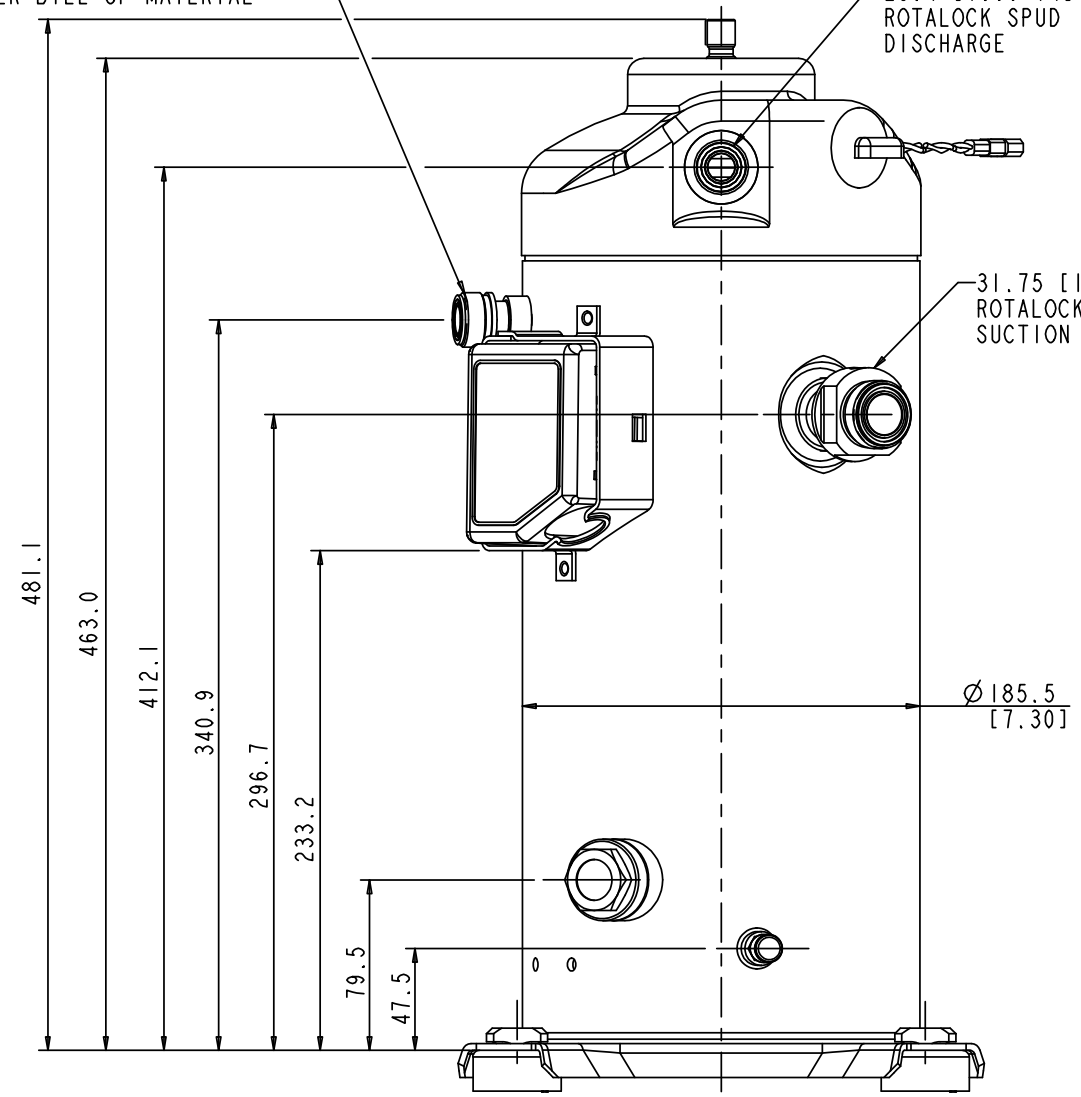
ZFD18

VAPOR INJECTION FITTING
(BRAZED) [0.50 I.D.]
OR
VAPOR INJECTION FITTING
(ROTALOCK)
[1.00-14 UNS-2A] THREADS
PER BILL OF MATERIAL

25.4 [1.00-14] THREAD
ROTALOCK SPUD
DISCHARGE

31.75 [1.250-12] THREAD
ROTALOCK SPUD
SUCTION

Ø185.5
[7.30]



SOLENOID FITTING
Ø9.65-9.77
[0.380-0.385]
▽10.2

