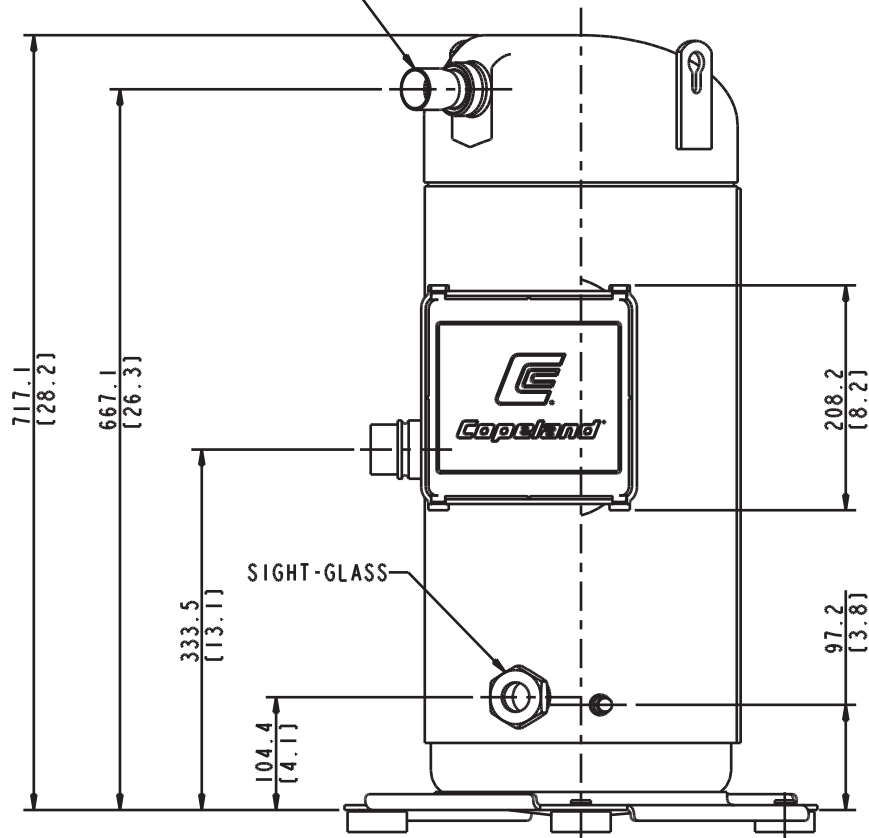


# ZP235KC

$\varnothing 35.20-35.30$  [1.386-1.390] I.D.  
 $\nabla 28.80$  [1.134]  
 DISCHARGE FITTING



$\varnothing 41.56-41.66$  [1.636-1.640] I.D.  
 $\nabla 25.00$  [0.984]  
 SUCTION FITTING

